

IMPORTANT - Lasemax, Inc., does not warrant the alignment or function of the Lasemax Police Laser sight for ported or compensated firearms, or for firearms which have been altered from stock factory configuration.

DANGER

DANGER - Laser radiation is emitted from the front aperture of the laser when the switch is activated. Please read the warning label, as found in this manual.

Always observe basic firearm safety rules - point the laser in a safe direction, never at another person.

LaserMax, Inc. strongly recommends that the user of the firearm install the sight. The Laser Sight System becomes an integral part of the firearm, and the user should become as familiar with its installation and use as with the rest of the firearm.

INITIAL INSPECTION

If the shipping carton is severely damaged, notify the carrier immediately for insurance purposes. Refer to the parts diagram in the back of this manual for a complete listing of included parts.

The LaserMax sighting system is designed to be used with the Springfield Armory® XD firearm, lubricated exactly as described in the current version of the Springfield Armory® XD Pistols Operation and Safety Manual. Excess lubricant can interfere with the proper function of both the firearm and the laser sight, as can inadequate lubricant.

STEP 1 - FIELD STRIP YOUR FIREARM

If you are not familiar with field stripping, as described in the Springfield Armory® XD Pistols Operation and Safety Manual, see Appendix A.

STEP 2 - DISASSEMBLY LEVER REMOVAL

Removing the factory lever and installing ours both require substantial force. **TOOLS SHOULD NOT BE USED.** While pushing the disassembly lever from the right side of the frame with your index finger, use the other hand to pull and rotate the disassembly lever back and forth as shown in figure 1 to completely remove it. Retain the disassembly lever in storage. It is not required while the pistol is operated with the LaserMax sight. Call or technical support at 1-800-LASER-03,

if you are having difficulty.

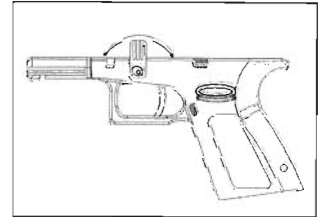


Figure 1

STEP 3 - INSTALLATION OF LASER SWITCH/DISASSEMBLY LEVER

Start the new disassembly lever/laser switch in the frame hole with the lever in the upward position as shown in figure 1. Rotate the take down lever back and forth while pushing it into the frame. Align the take down lever with the hole in the opposite side of the frame and continue to rotate it back and forth while pushing it completely into the frame. The disassembly lever must end up in the upward position as shown in figure 1. The laser switch should be centered in the frame before the slide assembly is installed.



Figure 2

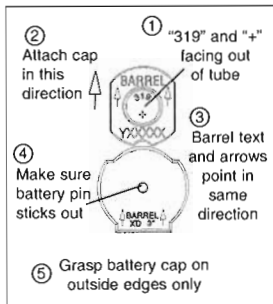


Figure 3

STEP 4A & 4B- INSTALL BATTERIES AND BATTERY CAP

STEP 4A. 4 & 5 XD SIGHTS Insert the supplied LaserMax battery pack into the battery compartment with the flat side (+) facing out. Refer to figure 2 when placing the battery cap onto the tube.

Be sure the gold-plated battery contact is in the cap.

The rear of the laser tube has a notch in it that lines up with a key on the cap. Put the key near, but not on, the notch. Push in gently and turn to seat the cap with tab in notch.

STEP 4B 3" XD SIGHT Insert one (1) new LaserMax LMS-319 battery pack into the battery compartment with the flat side (+) facing out. Refer to FIGURE 3 when placing the battery cap onto the tube.

The word 'BARREL' is engraved on both the laser tube and cap with indicating arrows. The arrows on the tube and cap must point the same way. Incorrect installation will cause significant alignment error between the laser point of aim and the bullet's point of impact.

Be sure the gold-plated battery contact is pressed firmly into its recess on the mating side of the cap. Hold the battery pack below the surface of the battery compartment with fingernail while sliding the cap into position.

STEP 5 - INSTALL THE LASERMAX LASER SPRING GUIDE

Protective Glasses are recommended during installation.

CAUTION - The sight may turn on when installed properly in the slide. Always make sure the sight is pointed in a safe direction. Firmly grasp the assembled sight by the battery cap and insert the assembly into the slide while pushing forward and down. The battery contact on the battery cap is slightly off center. The square side of the battery cap closest to contact should be away from the barrel. Seat the spring guide all the way down on the barrel, as you would the factory spring guide as shown in figures 4 and 5. With the magazine still removed, reassemble the slide to the frame pulling the slide to rear. Rotate the disassembly lever to return it to the horizontal position and release the slide stop lever.

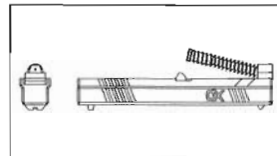


Figure 4

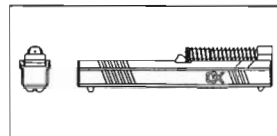


Figure 5

For the LMS-5XD and LMS-5XD45-ACP ONLY:

This model does not have a captive recoil spring. The closed end of the recoil spring should be towards the battery cap and the painted end coil should line up with the notch.

Cycle the action. If resistance is felt during assembly, do not force. Remove the slide and make sure that the laser assembly is positioned as required, then attempt assembly again.

Cycle the slide fully several times allowing the slide to go forward under full pressure of the recoil spring to make sure that the LMS sight is seated in the frame.

Compare your laser sight to your iron sights to insure proper installation.

That's it! Now test your new LaserMax sighting system.



Figure 6

OPERATION

Point the Pistol in a safe direction, push in the disassembly lever/laser switch with the trigger finger until a click is felt, figure 6. The red dot on the switch will be visible.

The laser sight should be projecting a pulsing red beam that closely matches the point of aim of the factory open sights. Turn the laser sight off by pushing the disassembly

lever/laser switch back to the center position.

Pressing the disassembly lever/laser switch to the alternate side will turn the sight on again and expose the red dots on the switch.

The laser sight is factory aligned and no further alignment is needed. Your point of bullet impact should be within 3" of your point of laser aim at 20 yards.

BATTERIES

Our LMS-3X393 batteries power all of the 4" (except 4" XD45) & 5" XD sights. The 3" XD and 4" XD45 sights use the LMS-319 batteries. Replacements are available from your dealer or direct from us. Do not remove the shrink-wrap from LaserMax battery packs. (Three Everready 393 batteries may be used in place of LaserMax battery packs).

For longer battery life, avoid getting finger oils on the battery contact surfaces. Operating temperature range for the batteries is from 14 degrees F to 120 degrees F. LaserMax recommends keeping a fresh set of batteries for carry and using older batteries for practice.

TROUBLE SHOOTING

- 1) Review installation instructions and install a second time to eliminate human error. Pull slide back and allow it to slam forward two or three times to ensure contact.
- 2) Check batteries. Is the + side up? Are they clean and free from oil? If using loose batteries, is the + side up on all of them? Battery voltage for the: LMS-3x393 should be 4.5 volts. The LMS-319 should be 6 volts.
- 3) Check the battery cap. Is there a gold contact on the cap?
- 4) Is the disassembly lever/switch installed correctly? Excessive lubricant can insulate the gun parts and break the circuit.
- 5) If there is still a problem, call the LaserMax Gunsight Technical Support and Warranty Department at 1-800-LASER-03. Technical assistance is available from 9:00 AM to 5:00 PM (Eastern Time) Monday to Friday.
- 6) If the sight has to be returned for repair, call our Warranty Department for a return authorization number before sending the sight. LaserMax will not be responsible for items returned without authorization. Do not return any parts or accessories not requested by the Warranty Department.

CLEANING AND MAINTENANCE

The window on the muzzle end of the laser may become smoked-over during firing. To clean, **MAKE SURE PISTOL IS UNLOADED AND THE LASER IS OFF.** Clean window with lens cleaner or alcohol on a cotton swab.

LaserMax recommends replacing recoil springs on the LMS-4XD after 2,500 rounds and LMS-5XD and LMS-5XD45-ACP after 5,000 rounds.

The recommended spring change for the LMS-3XD is after 2500 rounds. The LMS-3XD sights have captivated recoil springs and must be returned to the factory for spring change. Please call the Service Department at 1-800-527-3703 for a return material authorization (RMA) number and current pricing.

SAFETY COMPLIANCE LABELING

Operation of a laser without the required safety labeling may violate federal law. The FDA requires the label supplied with your laser be affixed to the outside of the gun with the arrow pointing to the laser aperture. The label contains the required warning for a class IIIA laser, a certification section stating that LaserMax certifies product compliance with FDA regulations, our address, and the month and year of manufacture.

APPENDIX A- FIELD STRIPPING

Press the magazine catch and remove the magazine.

Depress grip safety and clear the chamber by pulling back the slide as shown in figure 7.

Check the chamber to ensure that there is no round in the chamber.

Push the slide stop lever up to lock the slide in the backward position.

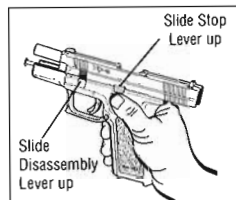


Figure 7

REMOVAL OF THE SLIDE

Secure the pistol with either hand and using the thumb on the other hand, rotate the disassembly lever clockwise to a vertical 12 o'clock position.

The disassembly lever should be in the vertical position as shown in figure 8.

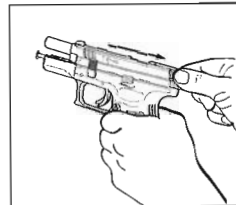


Figure 8

While holding the frame in one hand and the slide in the other, draw the slide backward slightly to disengage the slide stop lever. You must pull the trigger before the slide will come forward. Hold the slide firmly and allow it to glide forward gently. Now slip the slide assembly forward and off the frame, as shown in figure 9.

Grasp the factory recoil spring guide assembly, slide it forward about 1/8" and lift it clear of the slide assembly. Place it in storage.

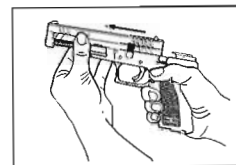


Figure 9

LaserMax, Inc. laser products, except expendable parts, are warranted to be free from defects in material and workmanship for a period of three years from the date of purchase, as shown on the warranty card returned to LaserMax. Expendable parts shall be defined as batteries, springs, and replaceable plastic parts. Expendable parts of some models have definite life expectancies. They should be replaced as recommended to protect the laser and preserve your warranty. This warranty shall benefit, and may be enforced only by the initial purchaser of the laser system and is not transferable. Warranty is limited solely to repairing or replacing the part(s), at the discretion of LaserMax, Inc.; which proves to be defective during the warranty period. Parts and equipment replaced under warranty will not be returned. Parts and equipment repaired under warranty will be covered for the remaining portion of the original warranty period. This warranty does not apply to equipment or parts which upon inspection by LaserMax, Inc. are determined by LaserMax, Inc. to have become defective or unworkable due to abuse, mishandling, misuse, alteration, negligence, improper installation or maintenance, damage resulting from use of springs not supplied with laser, damage resulting from repair or attempted repair by anyone other than LaserMax, Inc. or a repair facility authorized by LaserMax, Inc., or other causes beyond the control of LaserMax, Inc. All returns must have factory labeling present and legible. All returns require a return authorization number available from our Warranty Department at 1-800-LASER-03. The hours of operation are from 9 a.m. to 5 p.m. EST, Monday through Friday.

LASERMAX, INC. DISCLAIMS LIABILITY FOR INCIDENTAL AND CONSEQUENTIAL DAMAGES FOR BREACH OF ANY EXPRESS OR IMPLIED WARRANTY. ANY IMPLIED WARRANTY OF MERCHANTABILITY OR FITNESS FOR A PARTICULAR PURPOSE, WITH RESPECT TO THE LASERMAX, INC. LASER PRODUCT IS FOR A PERIOD OF THREE (3) YEARS FROM DATE OF PURCHASE. THIS WARRANTY GIVES YOU SPECIFIC LEGAL RIGHTS, AND YOU MAY ALSO HAVE OTHER RIGHTS WHICH VARY FROM STATE TO STATE.

Spare Parts List - LaserMax Springfield Armory® XD Series

Pistol Model	3" XD 40. 9mm	4" XD .40	4" XD 9mm, .357	5" XD .40, 9mm	4" XD.45 ACP	5" XD.45 ACP
Gunsight Model	LMS-3XD	LMS-4XD40	LMS-4XD9/357	LMS-5XD	LMS-4XD45-ACP	LMS-5XD45-ACP
1. Serial # and FDA Warning Label	LMS-300	LMS-300	LMS-300	LMS-300	LMS-300	LMS-300
2. Recoil Spring*	NA	LMS-4XD1	LMS-4XD1	LMS-5XD1	NA	LMS-5XD11
3. Service Kit (Item 2, 4, 5, 7, 8, 9)	NA	LMS-4XD6	LMS-4XD6	LMS-5XD6	LMS-4XD17	LMS-5XD16
4. Battery Pack	LMS-319	LMS-3X393	LMS-3X393	LMS-3X393	LMS-319	LMS-3X393
5. Battery Cap	LMS-3XD2	LMS-4XD2	LMS-4XD2	LMS-4XD2	LMS-4XD15	LMS-5XD15
6. Take Down Lever/ Laser Switch	LMS-3XD7	LMS-4XD14	LMS-4XD14	LMS-4XD14	LMS-4XD14	LMS-4XD14
7. Shock Buffer	NA	LMS-4XD4	LMS-4XD4	LMS-4XD4	NA	LMS-5XD13
8. Installation Manual	LMS-4XD0	LMS-4XD0	LMS-4XD0	LMS-4XD0	LMS-4XD0	LMS-4XD0
9. Captive Spring Bushing (2 halves)	NA	LMS-4XD3	LMS-4XD3	NA	NA	NA

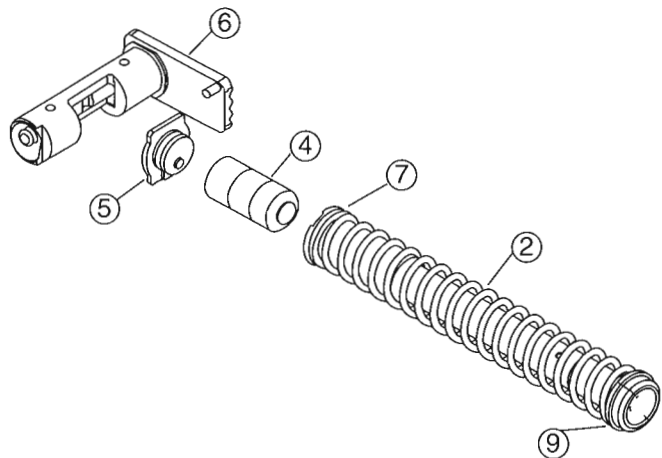
*LMS-3XD recoil springs have a lifetime of 2,500 rounds.

*LMS-4XD recoil springs have a lifetime of 2,500 rounds.

*LMS-5XD recoil springs have a lifetime of 5,000 rounds.

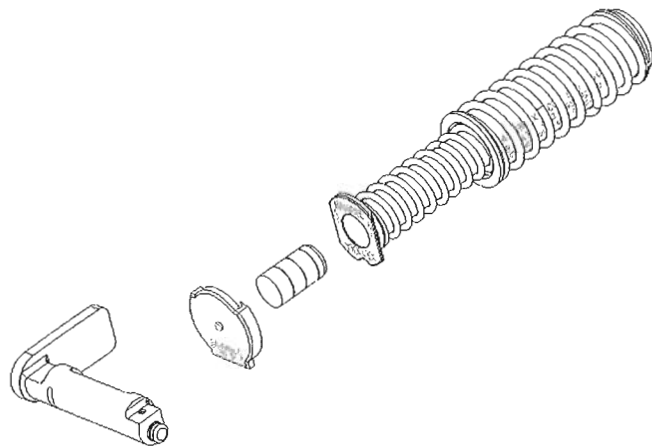
*LMS-4XD45-ACP recoil springs have a lifetime of 2,500 rounds.

*LMS-5XD45-ACP recoil springs have a lifetime of 5,000 rounds.



LMS-4XD, LMS-5XD (exploded view)

A first-time installation typically takes 20 minutes or less. Subsequent installations and battery replacement can be accomplished in less than a minute. We at LaserMax always strive to bring you superior technology. Please let us know what you think of the LMS Laser Sight by taking a moment to fill out and return your postage-paid warranty card. Again, thank you, from all of us at LaserMax.



LMS-3XD (exploded view)