

⚠ WARNING!: PRIOR TO INSTALLATION, BATTERY CHANGE, CLEANING OR MAINTENANCE, FOLLOW THE FIREARM OPERATOR'S MANUAL TO ENSURE THAT THE FIREARM IS UNLOADED AND SAFE TO HANDLE.

⚠ WARNING!: NEVER LOOK AT THE SUN THROUGH THE RED DOT SIGHT (OR ANY OTHER OPTICAL INSTRUMENT). IT MAY PERMANENTLY DAMAGE YOUR EYES.

⚠ WARNING!: ENSURE THE RED DOT SIGHT IS SECURELY FASTENED TO THE FIREARM. FAILURE TO PROPERLY SECURE THE RED DOT SIGHT WILL RESULT IN PREMATURE FAILURE AND COULD RESULT IN FRAGMENTS, THAT MAY CAUSE PERSONAL INJURY.

▪ Remove and immediately recycle or dispose of used batteries according to local regulations and keep away from children. Do NOT dispose of batteries in household trash or incinerate.

▪ Even used batteries may cause severe injury or death.

▪ Call a local poison control center for treatment information.

▪ Non-rechargeable batteries are not to be recharged.

▪ Do not force discharge, recharge, disassemble, heat above 140°F or incinerate. Doing so may result in injury due to venting, leakage, or explosion resulting in chemical burns.

▪ Ensure the batteries are installed correctly according to polarity (+ and -).

▪ Do not mix old and new batteries, different brands or types of batteries, such as alkaline, carbon-zinc, or rechargeable batteries.

▪ Remove and immediately recycle or dispose of batteries from equipment not used for an extended period of time according to local regulations.

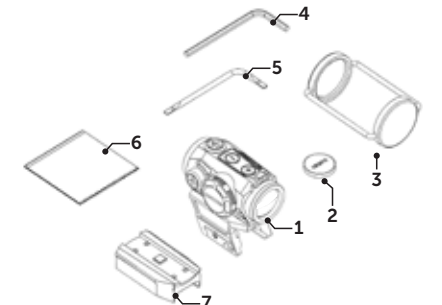
▪ Always completely secure the battery compartment. If the battery compartment does not close securely, stop using the product, remove the batteries, and keep them away from children.

⚠ WARNING

- **INGESTION HAZARD:** This product contains a button cell or coin battery.
- **DEATH** or serious injury can occur if ingested.
- A swallowed button or coin battery can cause **Internal Chemical Burns** in as little as **2 hours**.
- **KEEP** new and used batteries **OUT OF REACH OF CHILDREN**
- **Seek immediate medical attention** if a battery is suspected to be swallowed or inserted inside any part of the body.

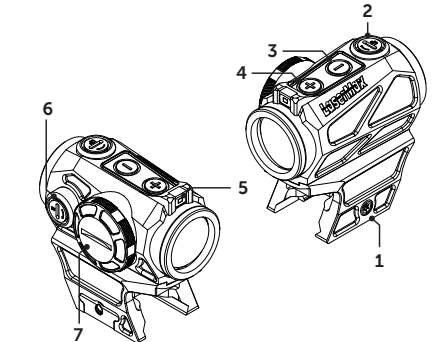


Box Contents



1. Red Dot Sight
2. CR2032 Battery
3. Protective Cover
4. Torx Wrench
5. Windage/Elevation Adjustment Tool
6. Cleaning Cloth
7. Low Rise Mount

Component Guide



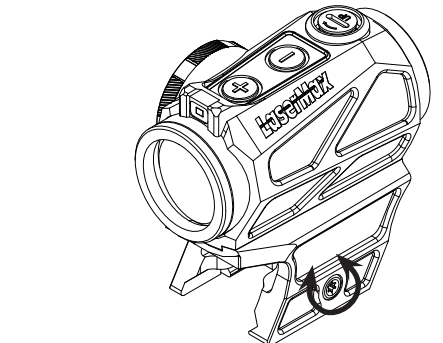
1. Clamp Screw
2. Elevation Turret Adjustment
3. Brightness Control, (-)
4. Brightness Control, (+)
5. Light Sensor
6. Windage Turret Adjustment
7. Battery Cap

Mounting Sight

⚠ WARNING!: BEFORE MOUNTING YOUR SIGHT, ENSURE FIREARM IS CLEAR, MAGAZINE IS REMOVED AND A ROUND IS NOT IN THE CHAMBER. DO NOT PERFORM ANY WORK UNTIL THE FIREARM HAS BEEN CLEARED AND DETERMINED TO BE SAFE.

Open clamp mount by unscrew the clamp mount screw. Install sight on to picatinny rail, ensure sight seats flat on picatinny rail. The clamp mount screw has thread locking compound, do not add any other locking compound to screws or slide. Tighten screws to 20 in-lbs. **Do not over torque the screws as it may damage the sight or picatinny rail.** Press and hold the (+) button to turn on unit. Verify that red dot is on and functional.

Mounting Sight



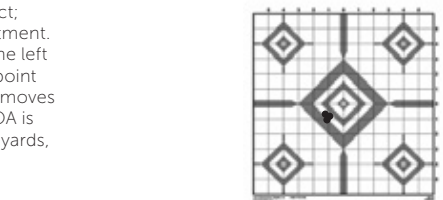
Windage/Elevation Adjustment

Turrets are used to adjust the bullet's point of impact; each click equals 1 Minute of Angle (MOA) of adjustment. The Windage turret adjusts the point of impact in the left and right direction. The Elevation turret adjust the point of impact in the up and down direction. Each click moves the bullet's point-of-impact 1 minute of angle. 1 MOA is approximately .10 inches at 10 yards, .25 inch at 25 yards, .5 inch at 50 yards, 1 inch at 100 yard

Sighting in
After the red dot sight has been mounted, an initial sight-in at 10 yards is recommended.

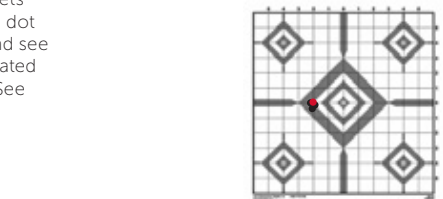
Turn on sight, support firearm or stabilize firearm as needed and fire a three-shot group as precisely as possible at the center of the target.

Examine target and adjust windage/elevation turrets as necessary to align bullet point of impact to red dot reticle. Carefully, fire another three-shot group and see if the bullet group is centered on the target. Repeated as many times as necessary to achieve bullseye. See figure for example of sighting in red dot sight.

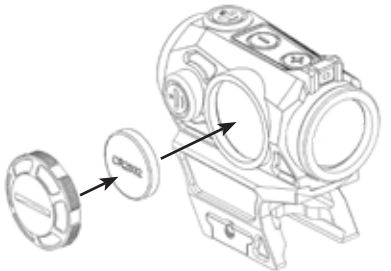


Example of sighting in at 10 yards

The bullet point of impact is 1" down and 1" to the right. To align red dot reticle to bullet point of impact turn Windage turret 10 clicks to left and turn Elevation turret 10 clicks up.



Battery Installation And Activation



Before powering on your sight for the first time, you will need to install a CR2032 lithium battery. Remove battery cap by unthreading it from the housing as shown. Install battery with Positive (+) side facing outward towards the battery cap. **CAUTION: When installing battery cap do not over torque battery cap, this may damage threads and housing.**

Verify that the red dot is on and functional by press and holding the (+) button to turn on unit.

LM-RRDS Function Settings

FUNCTION PROGRAMING DEFINITION

Power On Press the brightness "+" button to power on.

Power Off Hold the brightness "-" button for 3 seconds to manually power off.

Manual Mode Manual Mode is the Default Operation Mode. In this mode, the Shake Awake function is ON, but the Auto Brightness function is OFF. The brightness only can be adjusted via the "+" and "-" buttons.

Brightness Settings and Adjustment

Total 10 brightness settings in manual mode, use the brightness "+" and "-" buttons to adjust brightness level.

- Level 1 & 2 Are Night Vision settings.
- Level 3 - 10 Are Day Time settings.

Shake Awake After approximately 3 minutes without sensing movement, sight will shut off illumination to save battery life. While "asleep" the battery will draw no power. As soon as movement resumes, the optic will immediately "wake" and resume its previous brightness level.

Operation Mode Switch Hold the brightness "+" button for 3 seconds to switch the operation mode between Manual Mode and Auto Brightness Mode.

Auto Brightness Mode The brightness of the red dot reticle automatically adjusts with the intensity of the ambient light. In this mode, the Shake Awake function is also active.

Auto Power-Off Sight is programmed to turn off automatically after 10 hours of inactivity to save the battery life, whether it's in manual mode or Auto Brightness mode.

Power Off Memory

- When the sight is powered back on it will automatically return to the previous operating mode.
- When the sight is powered back on it will automatically return to the previous brightness level (only for manual mode).

Troubleshooting

If the Red Dot is not present:

- Press and hold the (+) for 3 seconds, make sure unit is not in Night Vision Mode.
- Check or replace battery.
- If in Auto Brightness mode, ensure light sensor is clean.
- Check battery cap, make sure cap is not loose.

If red dot loses zero:

- Check for loose mounting screws. Properly fasten all screws.

LASERMAX Limited Warranty



LaserMax is pleased to offer a five (5) year limited warranty for this product. To take advantage of this coverage, the product must be registered no later than 90 days after purchase.

This product may be registered by completing a Registration Form which may be found at www.lasermx.com/support or by contacting the LaserMax Customer Service Department at 1-800-527-3703. The LaserMax Limited Warranty extends specific legal rights to the registrant. Other rights, which vary from state to state, may also apply. This product is warranted to be free from defects in material and workmanship at the time of purchase. This limited warranty does not cover expendable parts (ex: batteries), that have definite and predictable life expectancies. This warranty does not cover products that LaserMax determines have been exposed to abnormal use in any way. Examples of abnormal use include, but are not limited to, damage from mishandling, misuse or abuse, damage from exposure to abnormal conditions, damage from improper care and maintenance, or installation of the product in or on any firearm model the product is not specifically advertised to be used with. Warranty coverage begins on the date of purchase and ends five (5) years after date of purchase. This limited warranty extends only to the original registrant and is non-transferable. To file a warranty claim, a warranty repair request must be submitted, and a Return Merchandise Authorization (RMA) number issued by the LaserMax Warranty Department, within five (5) years

from date of purchase. Following submission of a warranty claim, LaserMax reserves the right to inspect the product to determine its eligibility for warranty coverage. If deemed eligible, LaserMax will repair or replace the part(s)/product that LaserMax, at its sole discretion, determines to be defective during the warranty period. If deemed ineligible, LaserMax will return the part(s)/product with an explanation of why coverage is not available. LaserMax reserves the right to replace defective part(s)/product with an equivalent substitute product at its sole discretion. Any and all implied warranties, including the implied warranties of merchantability, fitness for a particular purpose, and non-infringement, also begin on the date of purchase and end five (5) years after date of purchase. This limitation does not apply to residents of states that disallow limitations on the length of implied warranties. The preceding process is both the exclusive remedy and LaserMax's exclusive liability for any warranty claim. LASERMAX WILL NOT, UNDER ANY CIRCUMSTANCES, BE LIABLE FOR ANY INCIDENTAL, INDIRECT, CONSEQUENTIAL, PUNITIVE OR EXEMPLARY DAMAGES (EVEN IF LASERMAX HAS BEEN NOTIFIED OF THE POSSIBILITY OF SUCH DAMAGES) RESULTING FROM OR RELATED TO A PRODUCT, INCLUDING, WITHOUT LIMITATION, ANY LOSS OF PROFIT, OPPORTUNITY, OR DAMAGES IN EXCESS OF THE PURCHASE PRICE OF THE WARRANTIED PRODUCT. THIS LIMITATION DOES NOT APPLY TO RESIDENTS OF STATES THAT DISALLOW LIMITATIONS ON INCIDENTAL OR CONSEQUENTIAL DAMAGES.

Specs

| | |
|------------------------------------|---|
| Mounting Footprint | Picatinny |
| Dot Size | 3 MOA |
| Dot Color | Red |
| Magnification | 1x |
| Eye Relief | Unlimited |
| Windage/Elevation Click Adjustment | 1 MOA |
| Illumination Settings | 10 Settings, 8 Daylight, 2 Night Vision |
| Battery | CR2032 |
| Run Time | Up to 10,000 hours |
| Length, Width, Height | 2.54" x 1.55" x 2.42" |
| Weight | 4oz |



View complete installation and battery replacement video tutorials at www.youtube.com/LaserMaxInc

For replacement parts please contact customer service at 800-527-3703

LaserMax Products

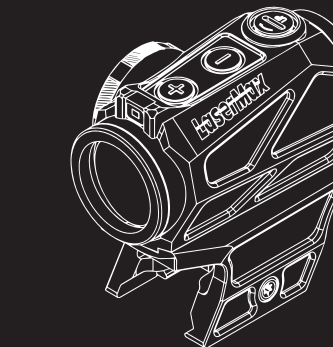
7629 Routes 5 & 20, Bloomfield, NY 14469

800-527-3703 • www.lasermx.com

For patent information, please visit: www.lasermx.com/patents

Copyright © 2024 Crosman Corporation. All rights reserved. LaserMax and the LaserMax logo are registered trademarks of Crosman Corporation. All other trademarks are property of their respective owners.

LM-RRDSA515



LaserMax

Red Dot Sight

Owner Manual

LM-RRDS